

Healthcare EDS Systems

Ground-Fault Location Solution



CP907 Touch Control Panel

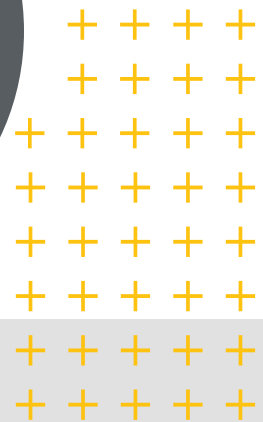


Bender engineers have developed a solution capable of identifying which particular circuit(s) is contributing to a ground fault on an ungrounded system. Our fully automated ground fault location systems (EDS Series) are designed to reduce maintenance cost and increase equipment utilization.

How does a ground fault location system (EDS) work?

Bender's advanced Line Isolation Monitor, the LIM2010, measures and calculates the Total Hazard Current (THC) and alarms when the defined threshold (5mA) is met. Once the THC and resistive fault threshold is achieved the LIM's integral fault location system is activated. The Line Isolation Monitor (LIM2010) then sends out a tracer pulse which is detected by the ultra-high sensitivity current sensors associated with each branch circuit and evaluated by the EDS modules.

With the automatic fault location system, circuits with resistive type faults can be identified with indication locally on the face of the fault location monitor and in plain text on a remote display. Such functionality hastens fault finding efforts, increasing operating room availability.



Benefits

Ensures system remains uninterrupted/online

Electrical issues are detected and located while keeping the installation fully energized.

Reduces maintenance costs

Measurably decreases maintenance costs due to the accuracy of detection and decreased need for human interaction with the system.

Improves safety for patients and staff

Empowers staff to easily diagnose issues rather than silencing the alarm without investigation and continuing under a potentially hazardous condition.

Clear indicator display

Easy-to-read indication of faulted circuit displayed on LCD screen at both the location device and select remote indicators.



Bender Solutions



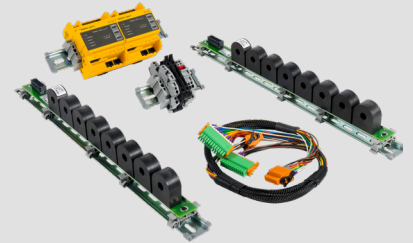
1 Line Isolation Monitor LIM2010

- Real time, in-room hazard current notifications
- On-board data-logging for faster troubleshooting
- Prevents loss of power in hazardous situations



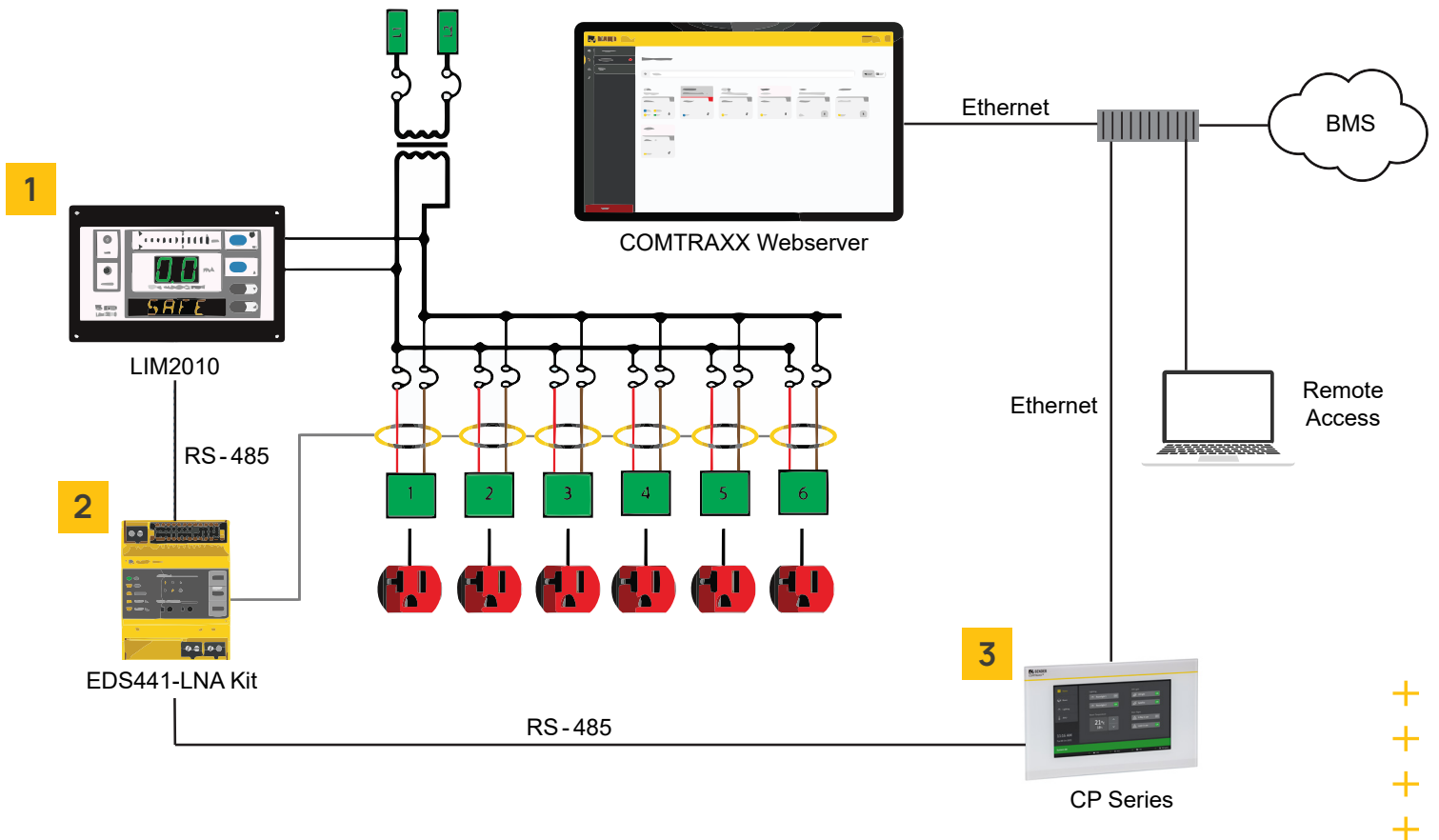
2 Ground Fault Location Kits EDS441-LNA KIT 1 or 2

- Save costs by reducing downtime
- Automatically locate faults
- Easily diagnose issues



3 Touch Control Panel CP Series

- 5-inch, 7-inch, 15.6-inch, and 24-inch easy to use touch screen interface
- Freely programmable alarm settings via web server
- Serves as ethernet gateway with multiple communication protocols
- Multiple communication protocols (TCP/IP, Modbus TCP, Modbus RTU, PROFINET, DHCP, SNMP, SMTP, NTP)
- Available in surface or flush mounting
- Touch display with hygienic glass surface
- Visual and acoustic notification in the event of an alarm
- Digital inputs, relay control for future expandability



Bender Inc.

610.383.9200 / info@benderinc.com
www.benderinc.com

Bender Canada Inc.

905.602.9990 / info@bender-ca.com
www.benderinc.com